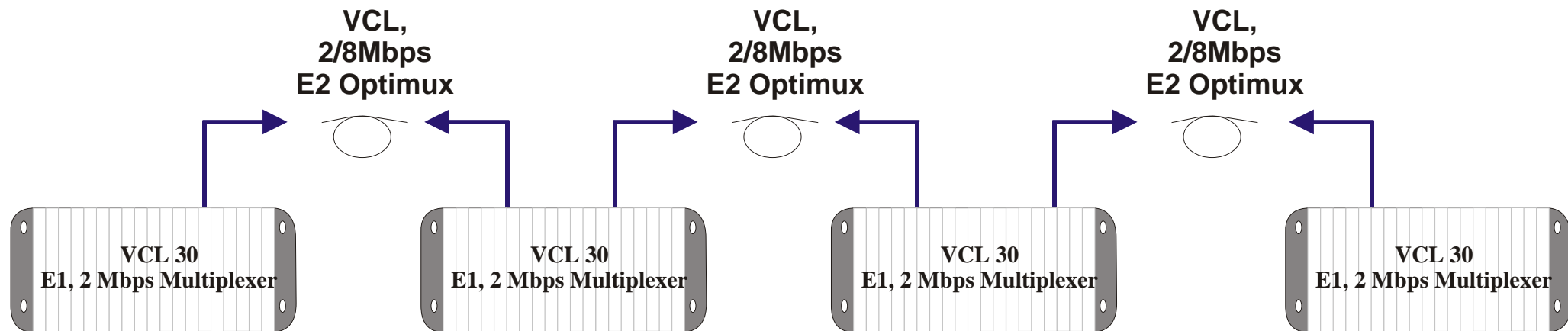


## VCL-30, E1 2Mbps Multiplexer

### SCADA Application using a VCL-30, E1 Multiplexer and VCL 2/8Mbps, E2 Mux. and OLTE



## Services

Voice: FXO, FXS (Including Ring-Down/Hot-Line), 2W E&M, 4W E&M

Data: V.35 (Sync @ 64Kbps), V.35 (Sync @ "n" x 64Kbps), V.24 (Async. 300bps to 19.2Kbps), G.703 @ 64Kbps